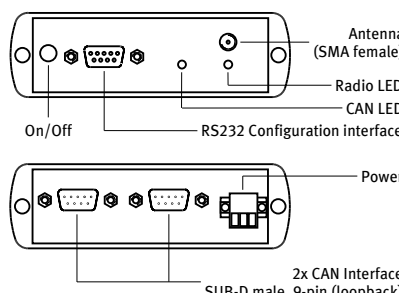
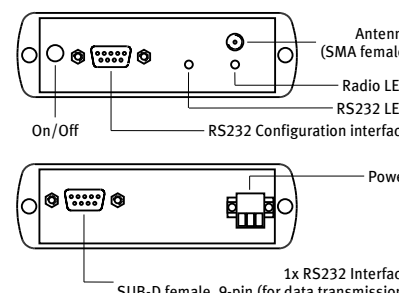
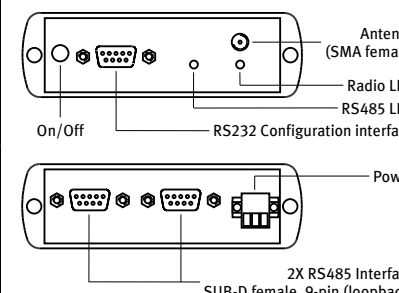


WIRELESS



WIRELESS RS485 - B

- ❖ Transparent transmission of standard-protocols
- ❖ CAN-Bus, RS232, RS485, ANALOG and DIGITAL
- ❖ Robust metal housing
- ❖ Fast and reliable installation
- ❖ 100 mW output power available
- ❖ Interface conversion

	WIRELESS CAN	WIRELESS RS232 (CMD/LOC)	WIRELESS RS485 (CMD/LOC)
Connections	 <p>Antenna (SMA female) Radio LED CAN LED On/Off RS232 Configuration interface Power 2x CAN Interface SUB-D male, 9-pin (loopback)</p>	 <p>Antenna (SMA female) Radio LED RS232 LED On/Off RS232 Configuration interface Power 1x RS232 Interface SUB-D female, 9-pin (for data transmission)</p>	 <p>Antenna (SMA female) Radio LED RS485 LED On/Off RS232 Configuration interface Power 2X RS485 Interface SUB-D female, 9-pin (loopback)</p>
Connection parameters	<p>CAN Version: CAN 2.0 (A/B) CAN Transceiver: ISO 11898 Baud rates: up to 1 MBit (configurable bit timing register) CAN Identifier: 11 Bit /29 Bit (automated detection) Bus termination: external via Sub-D Power: 8-30 V DC, max. 0.1 A</p>	<p>Serial modes: - byte oriented - fixed length of data - termination character - transm. after timeout</p> <p>Baud rates: up to 115 200 Baud Data bits: 5-8 Parity: even, odd, none Stop bits: 1, 2 Power: 8-30 V DC, max. 0.1 A</p>	<p>Serial modes: - byte oriented - fixed length of data - termination character - transm. after timeout</p> <p>Baud rates: up to 230 400 Baud Data bits: 5-8 Parity: even, odd, none Stop bits: 1, 2 Transmission mode: half-duplex Power: 8-30V DC, max. 0.1 A</p>
Highlights	Interconnection of several devices with point to multi-point or multi-point to multi-point connection	Optional command interface for control of several devices	Optional command interface, wireless connection of several slaves to one master with point to multi-point connection
Ordering options [Item-No.]	<p>WIRELESS CAN-EVA¹ [6007004] WIRELESS CAN-A [6007005-A] WIRELESS CAN-B [6007005-B] WIRELESS CAN-NW [6007015] WIRELESS CAN 100mW-EVA¹ [6007012] WIRELESS CAN 100mW-A [6007011-A] WIRELESS CAN 100mW-B [6007011-B] WIRELESS CAN 100mW-NW [6007019]</p>	<p>WIRELESS RS232-EVA¹ [6010001] WIRELESS RS232-A [6010002-A] WIRELESS RS232-B [6010002-B] WIRELESS RS232-CMD [6010021] WIRELESS RS232 100mW-EVA¹ [6010027] WIRELESS RS232 100mW-A [6010024-A] WIRELESS RS232 100mW-B [6010024-B] WIRELESS RS232 100mW-LOC [6010023]</p>	<p>WIRELESS RS485-EVA¹ [6011001] WIRELESS RS485-A [6011002-A] WIRELESS RS485-B [6011002-B] WIRELESS RS485-CMD [6011010] WIRELESS RS485 100mW-EVA¹ [6011018] WIRELESS RS485 100mW-A [6011014-A] WIRELESS RS485 100mW-B [6011014-B] WIRELESS RS485 100mW-LOC [6011017]</p>

we make less wire ...

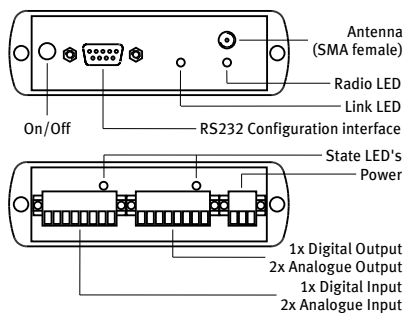
 wireless

¹) EVA-Kits include: 2 WIRELESS systems (A and B) preconfigured as sender and receiver, 2 antennas, 2 power supply units for testing purposes, cables, configuration software and manual

Environment/metrics

Case:	Robust metal housing	Weight:	ca. 260 g
IP-protection:	IP40	Mounting (optional):	many options on page 21
Dimensions:	110 x 35 x 103 mm	Temperature range:	-25 to +70° C

WIRELESS ANALOG

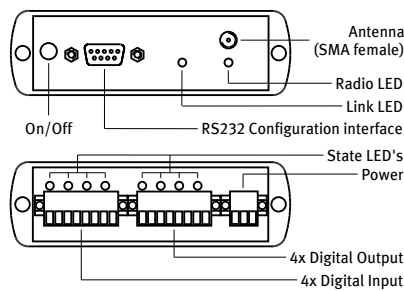


Operation mode:	- periodical (≥ 10 ms) - range monitoring - range mon. + periodical
Monitoring output:	Connection monitoring selectable
Analogue Input/Output:	0(4)...20 mA/ 0...10 V
Sampling rate:	up to 1 kHz
Measuring:	successive approximation
Digital Input:	10...30 V, galvanically isolated
Output:	High-side-switch, max. 0.5 A
Power:	20-30 V DC, max. 0.1 A

Interface conversion to CAN, RS232, RS485
selectable

WIRELESS ANALOG-EVA¹ [6013001]
WIRELESS ANALOG-A [6013002-A]
WIRELESS ANALOG-B [6013002-B]
WIRELESS ANALOG 100mW-A [6013006-A]
WIRELESS ANALOG 100mW-B [6013006-B]

WIRELESS DIGITAL

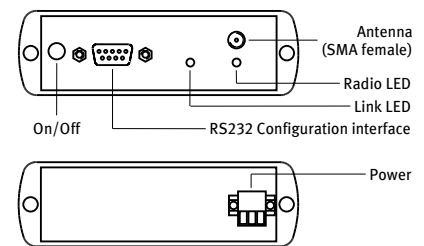


Operation mode:	- periodical (≥ 10 ms) - edge-triggered - combined
Digital input (galvanically isolated)	
Switch voltage:	10...30 V
Debounce time:	10 ms
Digital output	
Relais:	< 30 V / 10 W
Cycle time:	10 ms
Release time:	0.1 ms
Monitoring:	Connection monitoring selectable
Power:	8-30 V DC, max. 0.1 A

Interface conversion to CAN, RS232, RS485
selectable

WIRELESS DIGITAL-EVA¹ [6014001]
WIRELESS DIGITAL-A [6014002-A]
WIRELESS DIGITAL-B [6014002-B]
WIRELESS DIGITAL 100mW-A [6014006-A]
WIRELESS DIGITAL 100mW-B [6014006-B]

WIRELESS ROUTER



Compatible to:	- WIRELESS series - WIRELESS THR series - WIRELESS MOD series - WIRELESS OEM series
Power:	8-30 V DC, max. 0.1 A

Expanding communication distance or usage for
redundant routes

WIRELESS ROUTER [6015001]
WIRELESS ROUTER 100mW [6015006]